

Installation Guide

Seismic 2 hour fire rated Joint System

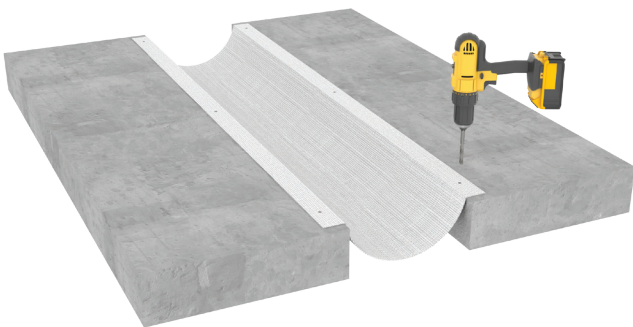
Step 1

Run a 6mm bead of FIREFLYMastic 25mm from the edge of the floor slab to either side of the trench.



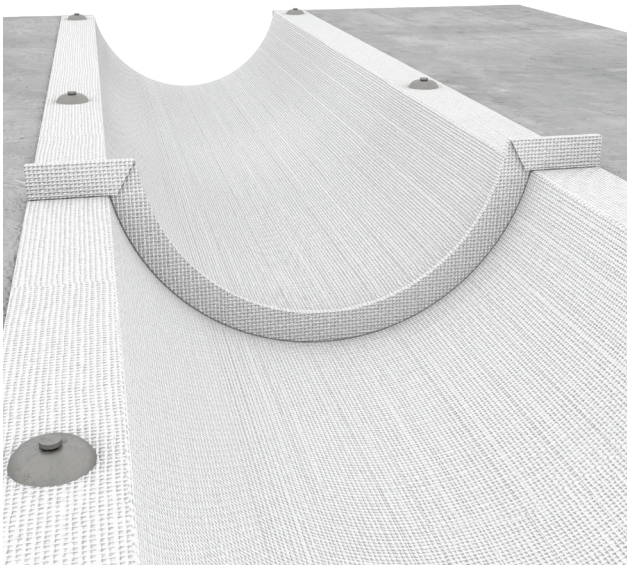
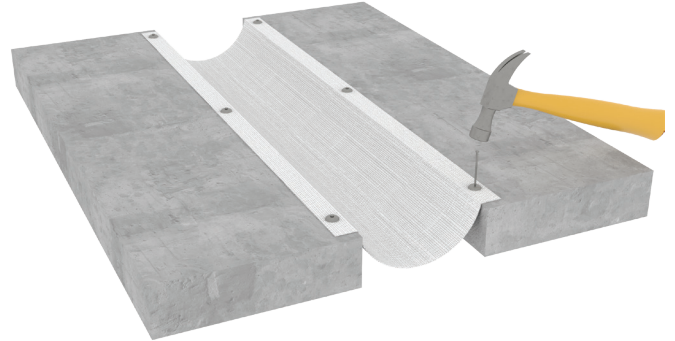
Step 2

Lap the FIREFLY reinforced Fortaglas fabric onto the top of the slab ensuring a minimum 50mm lap to either side. Drape enough material into the trench to allow for your maximum outward movement.



Step 3

Secure the fabric to the top of the slab at 600mm centers using M6 32mm steel knock-in fasteners.

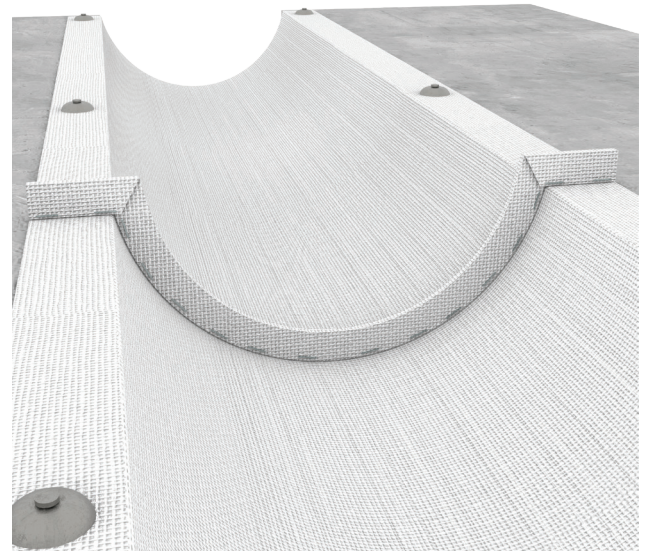


Step 4

Draw the next length of fabric up to the first length ensuring a 50mm lap.

Step 5

Staple together with a row of staples at 50mm centers using a pneumatic staple gun and 12mm FIREFLY stainless steel staples.



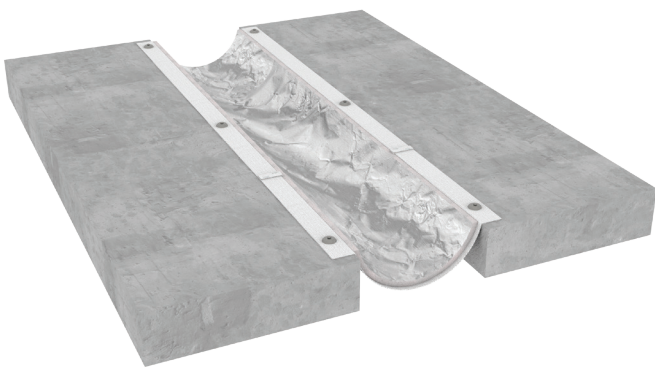
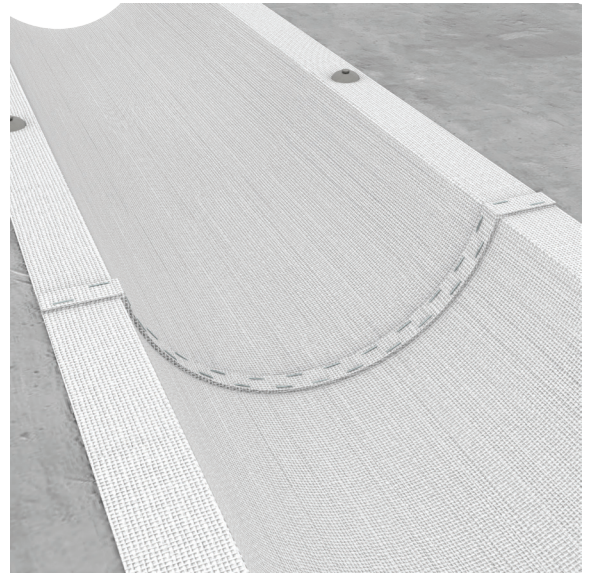


Step 6

Fold the 50mm lap in half then staple together with another row of staples at 50mm centers using a pneumatic staple gun and 12mm FIREFLY stainless steel staples.

Step 7

Fold the stapled joint flat with the fabric leaving a flush joint.

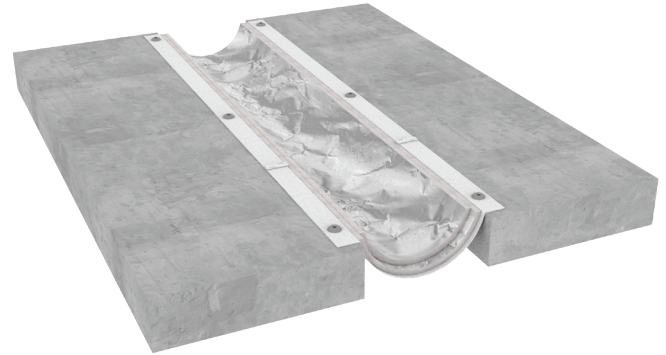


Step 8

Cut the 12mm thick FIREFLY Fortasil blanket to size. Lay it over the top of the Fortaglas fabric with the foil side facing up. Each piece of Fortaglas is just butted up to the next. Ensure that the joint is staggered by at least 100mm from the joints of each layer.

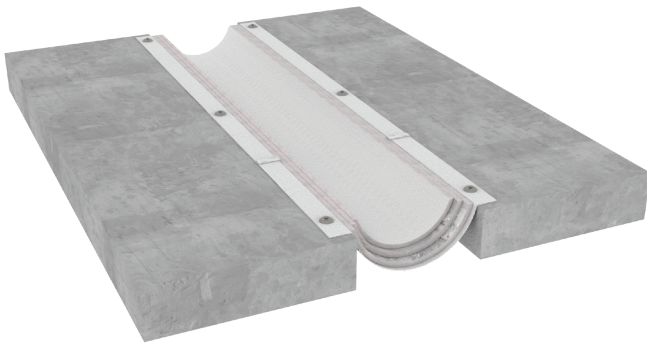
Step 9

Lay a second layer of 12mm Fortasil blanket over the first with the foil side facing up. Each piece of Fortaglas is just butted up to the next. Ensure that the joint is staggered by at least 100mm from the joints in each layer.



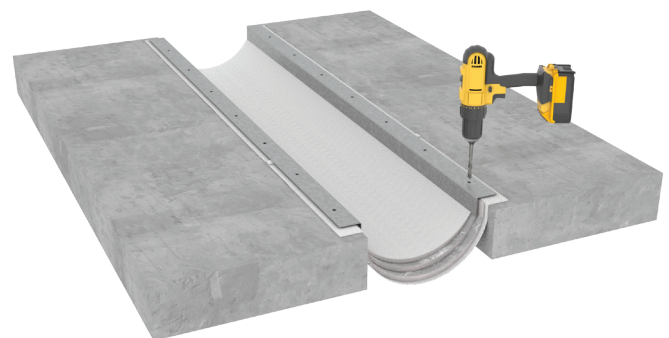
Step 10

Overlay with 10mm thick FIREFLY Plus 60 RS fabric. Ensure that the joint is staggered by at least 100mm from the joint below it.



Step 11

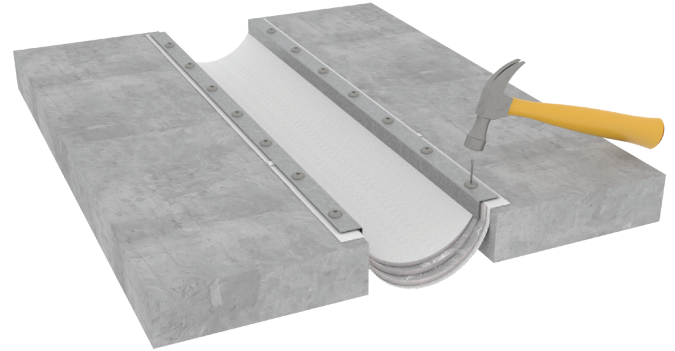
Place a 1.5 gauge 50mm x 50mm galvanised steel angle over the top of the layers, pull it tight to the slab to crimp the layers. Then drill through the top lip of the angle and masonry with an M6 drill bit.



Step 12

Mechanically fix the angles with M6 32mm steel knockings at 300mm centers.

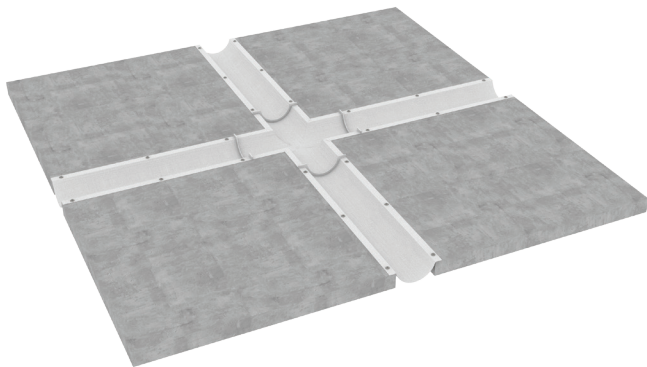
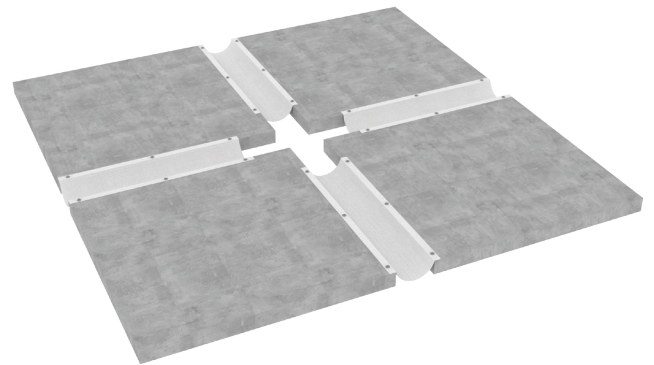
Repeat the process to both sides of the trench.



Cross Joint Junction Detail

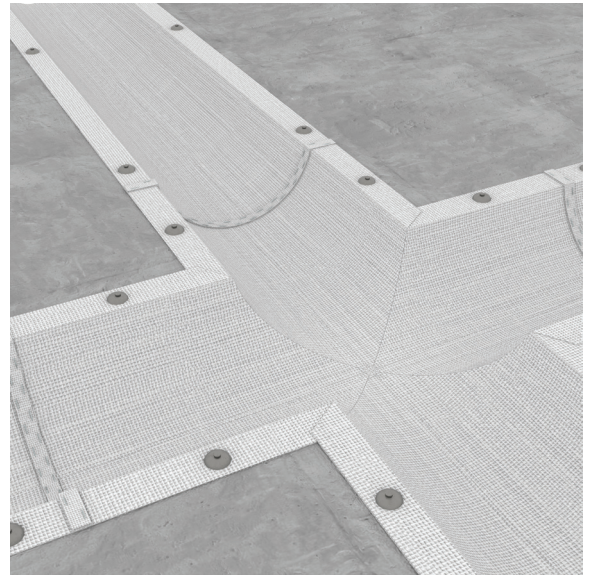
Step 1

Where the floor joints meet, stop the FIREFLY reinforced Fortaglas fabric 200mm short of the junction.



Step 2

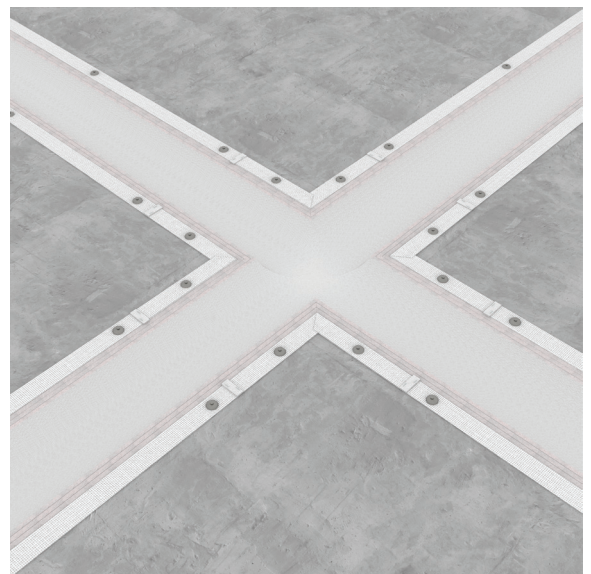
Using a single piece of Fortaglas fabric, cut an oversized cross shape using a long bladed Stanley knife. Manipulate, crease and fold the fabric into the gap allowing a 50mm overlap to join onto each of the fabric runs.

Step 2 | Close up view of the junction**Step 3**

Interlay the two layers of 12mm FIREFLY Fortasil blanket, ensuring a minimum 100mm stagger on butt joints.

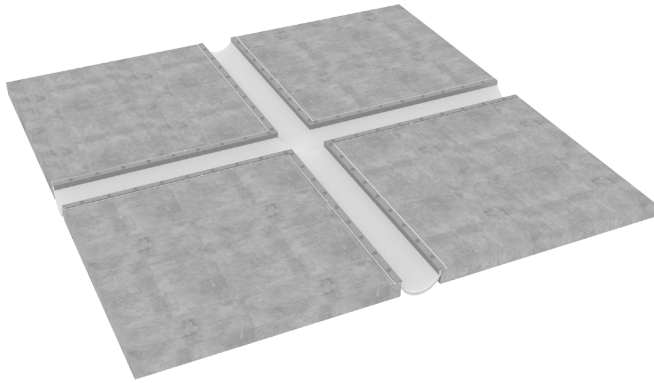
Step 4

Overlay with FIREFLY Plus 60 RS ensuring a minimum 100mm stagger on butt joints.



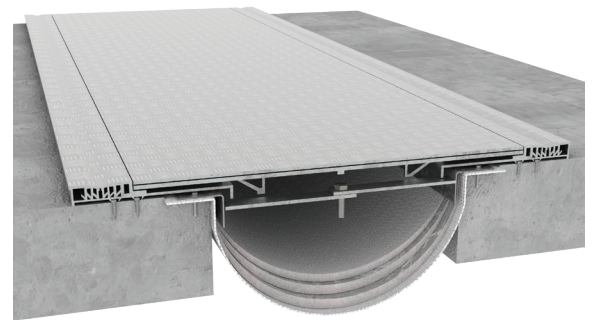
Step 5

Neatly cut the angles to size and install leaving a nice flush finish.



Step 6

Finish with CS cover plates.



Section detail of the entire joint

