

New System Updates

Core Hole Report FAS190236

RIR 1.19

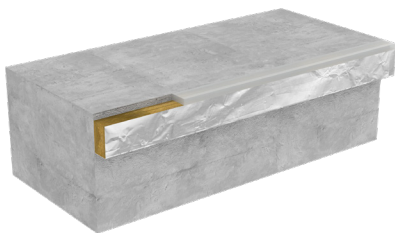
The FIREFLY Core Hole Report has been enhanced with the inclusion of our latest tested systems. As part of our ongoing commitment to delivering the highest quality solutions for our customers, we are continuously developing new fire stopping systems whilst improving our existing ones. Understanding the demands faced by passive fire industry we have summarised the changes for you.

Linear Gap Seals

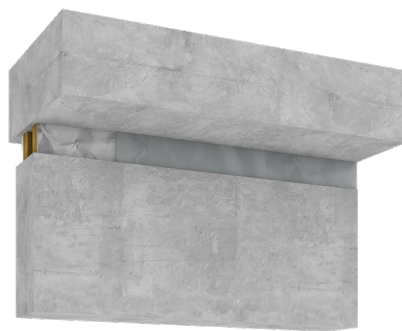
Use our latests FIREFLY Silicone sealant alongside FIREFLY Aluminised Rock Wool to close out those linear seals in horizontal and vertical elements.

With unlimited length and 30 mm wide applications, these systems can be useful in car parks, plantrooms and basements.

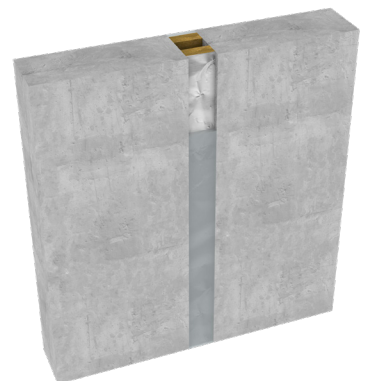
FIREFLY Silicone sealant is well-suited for external applications due to its ability to withstand rainy conditions. Refer to Tables 3 & 4 in the report for further details.



SH18



SV22

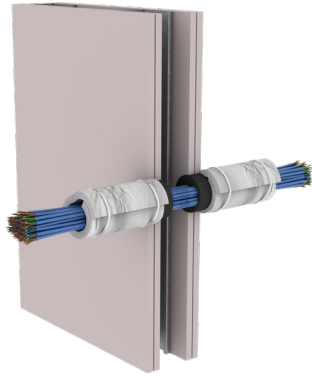


SV23

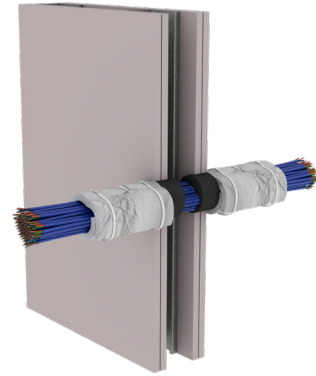
Larger CAT5 and CAT6 bundles

We get it - dealing with all those messy data cable bundles in MDF and IDF rooms can be a real headache. That's why we have upgraded our CAT5 and CAT6 cable penetration systems to help you wrangle these cables in Comms rooms far more easily.

You can now bundle up to 50 CAT5 or CAT6 cables through a single penetration. Refer to IDs V487 & V488.



V487



V488

Larger Annular Gaps - Metal Pipes

Larger annular gaps allow for greater flexibility in installation. Our new solution allows for the core hole size to be up to 30 mm wider than the pipe's outer diameter (OD). So, even with slight modifications, you can still achieve a compliant solution.

We understand that installers and certifiers often face challenges when dealing with the eccentricity of pipes within core holes. With our upgraded solution, eccentricity is no longer a concern. Now the pipe and the core hole don't have to be concentric, providing more flexibility during installation.

Looking for a note in the Penetration Seal Description column of our metal pipe penetration IDs. Refer to H7, H8, H28, H29, H38, H43, H67, H109, H110, V14, V15, V37, V38 V132, V134, V225, V226 in the report.



H8



V134



V225

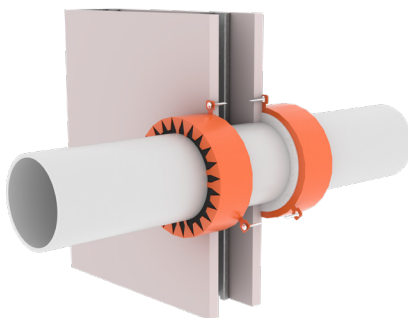
90-Minute Plasterboard Wall Systems | For the Plumbing trade

To cater to the residential apartments sector, we fired up the furnace to provide you these tested solutions.

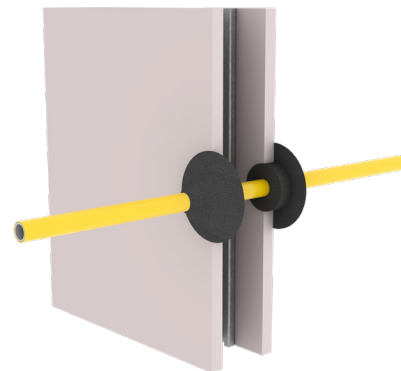
In addition to the showcased solutions, also refer to V476, V477, V478, V480, V483, V484, V485.



V475



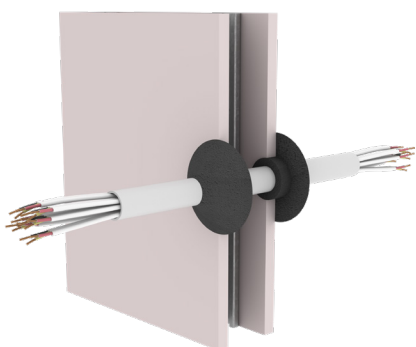
V479



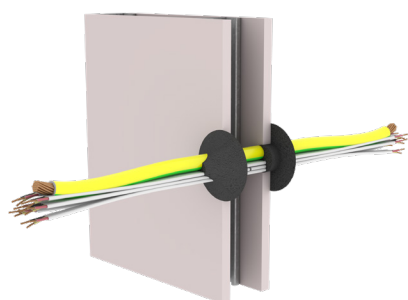
V486

90-Minute Plasterboard Wall Systems | For the Electrical trade

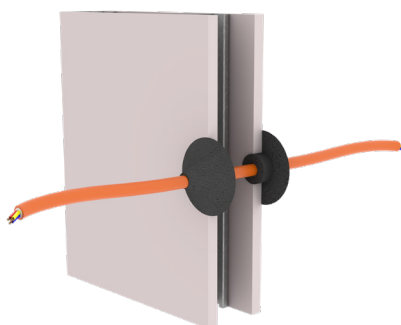
In addition to the showcased solutions, also refer to V464, V465, V468, V469, V472, V481, V482.



V466

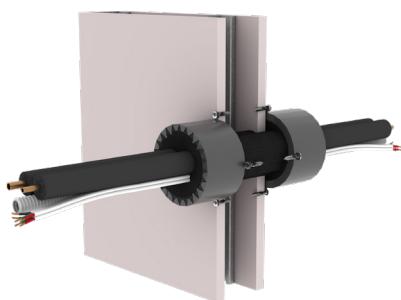


V471

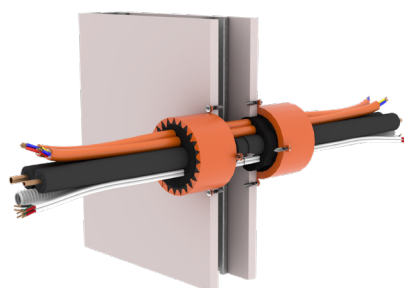


V470

90-Minute Plasterboard Wall Systems | For the Mechanical trade



V473



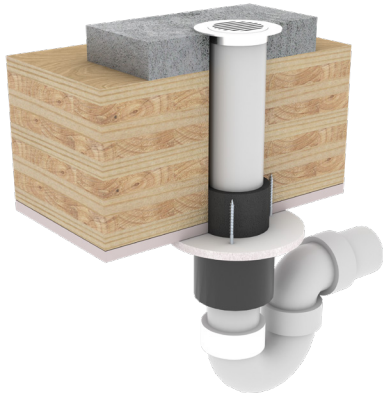
V474

Cross Laminated Timber (CLT) Wall and Floor Solutions

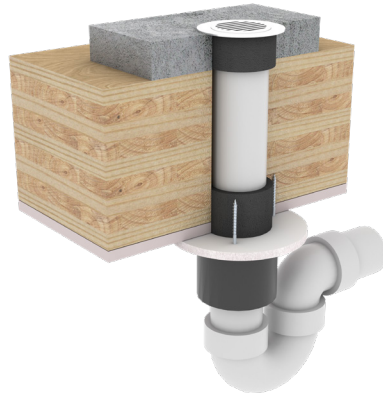
FIREFLY Penowrap Gaskets significantly delay the onset of charring in CLT walls and floors, contributing to the structural adequacy of the elements. This can play a crucial role in maintaining the overall stability of the structure during a fire event.

Floor wastes treated with FIREFLY FRF Fire Collars and Penowrap Gaskets to the underside of the CLT floor. Showcased below are the -/120/120 solutions for 80 mm OD and 100 mm OD floor waste set-ups.

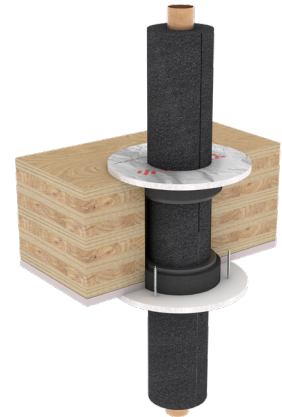
We value your savings. How? Spot the difference.



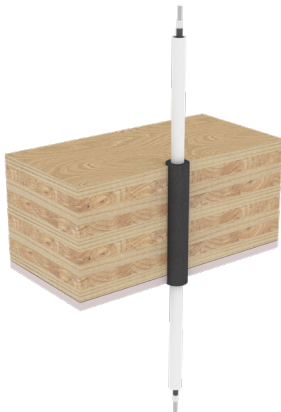
H191



H200



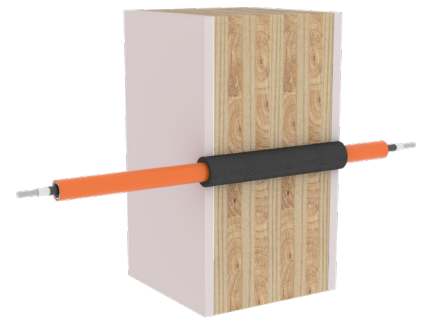
H203



H193



V425



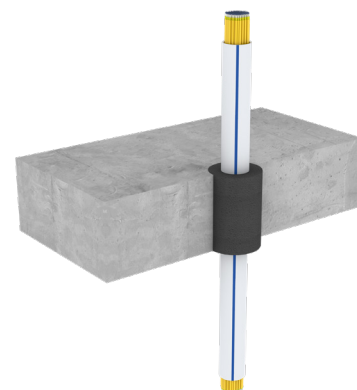
V426

120-Minute Systems through Walls and Floors

We understand the importance of 120-minute systems and why they are highly sought after. These systems have wide applications in various classes of buildings and are often used in fire-engineered solutions, hence we have added a few more 120-minute systems to our solutions.

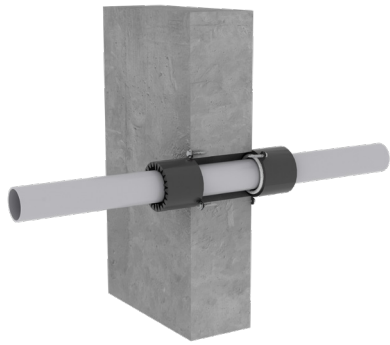


H206

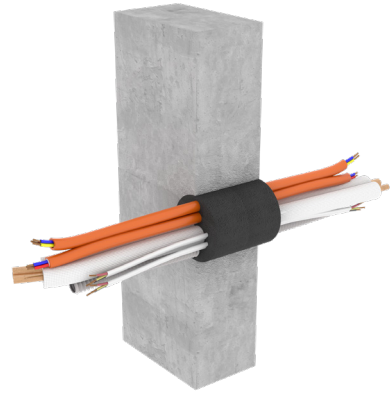


H209

120-Minute Systems through Walls and Floors (continued)



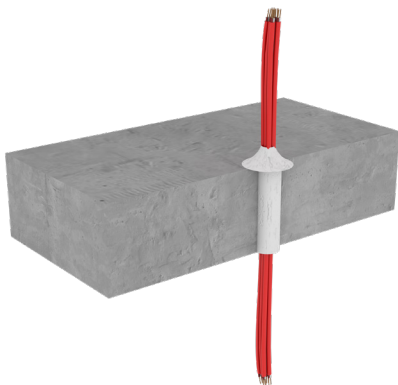
V429



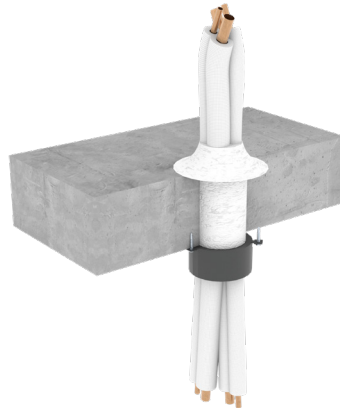
V431

High FRL (>120 minute) Systems

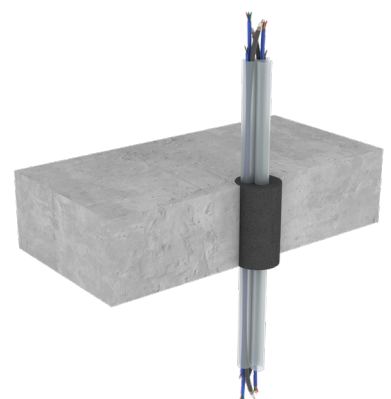
FIREFLY's superior products' performance is reinforced with results like these. FIREFLY Mastic, FIREFLY MasticHP and FIREFLY FRF Collars were the star performers in these tested systems.



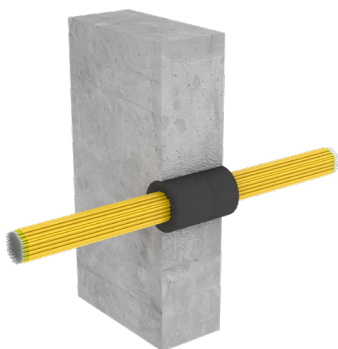
H214



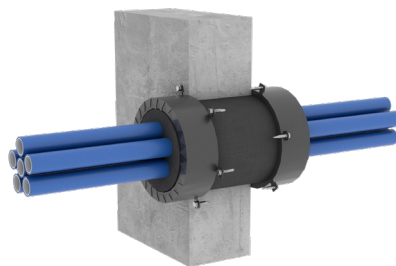
H220



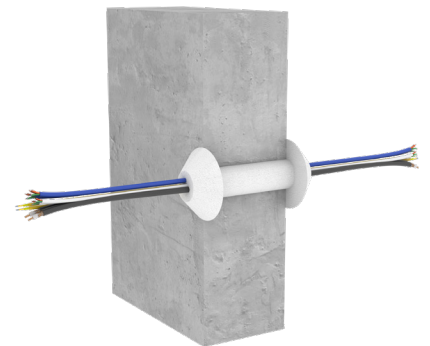
H222



H433



V451



V441

FAS120236 RIR 1.19 | New Systems

List of new fire stopping systems released in FAS190236 RIR 1.19#.

ID*	Service*	Local FIREFLY protection*	FRL*
SV22	Linear gap seal in wall (Horizontal)	FIREFLY Silicone	-/240/240
SV23	Linear gap seal in wall (Vertical)	FIREFLY Silicone	-/240/240
SH18	Linear gap seal in floor	FIREFLY Silicone	-/240/240
V416	110 mm HDPE pipe	FIREFLY Mastic HP + Penowrap Gasket + FRF Collar	-/120/120
V417	25 mm Copper pipe	FIREFLY Mastic + Penowrap Gasket + Penowrap	-/120/120
V418	76 mm Steel pipe	FIREFLY Mastic + Penowrap Gasket + Penowrap	-/120/120
V419	25 mm uPVC conduit with cable	FIREFLY Mastic HP	-/120/120
V420	25 mm PEX pipe	FIREFLY Mastic HP	-/120/120
V421	100 mm Copper pipe with stone wool insulation	Penowrap Gasket + FIREFLYStrap + FIREFLYMastic HP	-/120/120
V422	32 mm Copper pipe with nitrile pipe insulation	Penowrap Gasket + FIREFLYStrap + FIREFLYMastic HP	-/120/120
V423	40 mm uPVC pipe	Penowrap Gasket + FRF Collar + FIREFLYMastic HP	-/120/120
V424	50 mm uPVC pipe	Penowrap Gasket + FRF Collar + FIREFLYMastic HP	-/120/120
V425	76 mm Copper pipe (bare)	FIREFLYMastic + Penowrap Gasket + FIREFLY Penowrap	-/120/120
V426	25 mm PEX pipe	FIREFLYMastic HP	-/120/120
V427	50 mm Copper pipe with nitril pipe insulation	Penowrap Gasket + FIREFLYStrap + FIREFLYMastic HP	-/120/120
V428	80 mm uPVC pipe	Penowrap Gasket + FRF Collar + FIREFLYMastic HP	-/120/120
V429	43 mm uPVC pipe	FIREFLYMastic + FRF Collar	-/120/120
V430	40 mm uPVC pipe (Pressure pipe)	FIREFLYMastic + FRF Collar	-/120/120
V431	1 x FR pair coil with cables	FIREFLYMastic HP	-/120/120
V432	50mm uPVC conduit with cables	FIREFLYMastic HP	Various
V433	Bundle of fibre optic cables	FIREFLYMastic HP	Various
V434	350 mm Steel pipe with stonewool lagging	FIREFLYStrap + FIREFLYMastic HP	Various
V435	200 mm Copper pipe with stonewool lagging	FIREFLYStrap + FIREFLYMastic HP	-/180/120
V436	25 mm Copper pipe (bare)	FIREFLYMastic + FIREFLY Penowrap	-/180/120
V437	Bundle of fire alarm cables	FIREFLYMastic	-/180/180
V438	Bundle of fire alarm cables	FIREFLYMastic HP	-/180/180
V439	Bundle of mixed cables	FIREFLYMastic	-/180/180
V440	Bundle of fibre optic cables	FIREFLYMastic	-/180/180
V441	Bundle of mixed cables	FIREFLYMastic + FRF Collar	-/180/180
V442	2 x non-FR lagged Copper pipes	FIREFLYMastic + FRF Collar + FIREFLYMastic HP	-/180/180

ID*	Service*	Local FIREFLY protection*	FRL*
V443	32 mm Clear PVC conduits	FIREFLYMastic HP	-/180/180
V444	20 mm Clear PVC conduits	FIREFLYMastic HP	-/180/180
V445	40 mm Steel pipe (bare)	FIREFLYMastic + FIREFLY Penowrap	-/180/120
V446	Bundle of mixed cables	FIREFLYMastic + FIREFLY Penowrap	-/180/120
V447	Bundle of Vesda microducts	FIREFLYMastic HP	-/180/180
V448	160 mm acoustic pipe	FIREFLYMastic + FRF Collar	-/90/90
V449	40 mm acoustic pipe	FIREFLYMastic + FRF Collar	-/180/180
V450	150 mm uPVC pipe (Pressure pipe)	FIREFLYMastic HP + FRF Collar	Various
V451	Bundle of PEX pipes	FIREFLYMastic HP + FRF Collar	Various
V452	Bundle of mixed cables	FIREFLYMastic HP + FRF Collar	-/120/90
V453	32 mm Electrical conduits with mixed cables	FIREFLYMastic HP + FRF Collar	Various
V454	Pair coil with cables and condensate hose	FIREFLYMastic HP + FRF Collar	-/180/120
V455	2 x FR pair coil	FIREFLYMastic HP + FRF Collar	-/180/120
V456	150 mm uPVC pipe	FIREFLYMastic HP + FRF Collar	-/180/120
V457	3 x TPS cables	FIREFLYMastic HP	-/120/120
V458	3 x fire alarm cables	FIREFLYMastic HP	-/120/120
V459	Bundle of mixed cables	FIREFLYMastic HP	-/120/90
V460	20 mm electrical conduit with cables	FIREFLYMastic HP	-/120/120
V461	20 mm PEX pipe	FIREFLYMastic HP	-/120/120
V464	32 mm uPVC conduit with RG6 cables	FIREFLYMastic HP	-/90/90
V465	32 mm uPVC conduit with fibre optic cables	FIREFLYMastic HP	-/90/90
V466	32 mm uPVC conduit with TPS cables	FIREFLYMastic HP	-/90/90
V467	32 mm uPVC conduit with mixed cables	FIREFLYMastic HP	-/90/90
V468	Bundle of mixed cables	FIREFLYMastic HP	-/90/90
V469	Bundle of fire alarm cables	FIREFLYMastic HP	-/90/90
V470	16 mm sq Power cable	FIREFLYMastic HP	-/90/90
V471	Bundle of mixed cables	FIREFLYMastic HP	-/90/90
V472	Bundle of TPS cables	FIREFLYMastic HP	-/90/90
V473	FR pair coil with cables and condensate hose	FIREFLYMastic HP + FRF Collar	-/90/90
V474	FR pair coil with cables and condensate hose	FIREFLYMastic HP + FRF Collar	-/90/90
V475	40 mm Steel pipe (bare)	FIREFLYMastic + FIREFLY Penowrap	-/90/90
V476	25 mm Copper pipe (bare)	FIREFLYMastic + FIREFLY Penowrap	-/90/90
V477	50 mm Copper pipe (bare)	FIREFLYMastic + FIREFLY Penowrap	-/90/90
V478	40 mm uPVC pipe	FIREFLYMastic HP	-/90/90
V479	100 mm uPVC pipe	FIREFLYMastic + FRF Collar	-/90/90
V480	20 mm PE/AL/PEX pipe	FIREFLYMastic HP	-/90/90

ID*	Service*	Local FIREFLY protection*	FRL*
V481	50 mm uPVC conduit	FIREFLYMastic HP	Various
V482	50 mm uPVC NBN conduit	FIREFLYMastic + FRF Collar + Plasterboard Patch	-/90/90
V483	50 mm Steel pipe (bare)	FIREFLYMastic + FIREFLY Penowrap	-/90/90
V484	100 mm Steel pipe (bare)	FIREFLYMastic + FIREFLY Penowrap	-/90/90
V485	20 mm PEX pipe	FIREFLYMastic HP	-/90/90
V486	20 mm PE/AL/PEX pipe	FIREFLYMastic HP	-/90/90
V487	Bundle of CAT 6 data cables	FIREFLYMastic HP + FIREFLY Penowrap	-/120/120
V488	Bundle of CAT 5e data cables	FIREFLYMastic HP + FIREFLY Penowrap	-/120/90
H188	56 mm HDPE Pipe (Siphonic Stormwater)	Penowrap Gasket + FRF Collar + FIREFLYMastic HP	-/120/120
H189	110 mm HDPE Pipe	Penowrap Gasket + FRF Collar + FIREFLYMastic HP	-/120/120
H190	25 mm Copper pipe	Penowrap Gasket + FIREFLYMastic + FIREFLY Penowrap	-/120/120
H191	83 mm uPVC floor waste	Penowrap Gasket + FRF Collar + FIREFLYMastic HP	-/120/120
H192	76 mm Steel pipe	Penowrap Gasket + FIREFLYMastic + FIREFLY Penowrap	-/120/120
H193	25 mm uPVC conduit	FIREFLYMastic HP	-/120/120
H194	32 mm PEX pipe	FIREFLYMastic HP	-/120/120
H195	100 mm Copper pipe with stonewool lagging	FIREFLYStrap + Penowrap Gasket + FIREFLYMastic HP	-/120/120
H196	32 mm Copper pipe with nitrile lagging	FIREFLYStrap + Penowrap Gasket + FIREFLYMastic HP	-/120/120
H197	40 mm uPVC pipe	Penowrap Gasket + FRF Collar + FIREFLYMastic HP	-/120/120
H198	50 mm uPVC pipe	Penowrap Gasket + FRF Collar + FIREFLYMastic HP	-/120/120
H199	76 mm Copper pipe (bare)	FIREFLYMastic + FIREFLY Penowrap	-/120/120
H200	100 mm uPVC Floorwaste	Penowrap Gasket + FIREFLYMastic HP + FRF Collar	-/120/120
H201	25 mm PEX pipe	FIREFLYMastic HP	-/120/120
H202	110 mm uPVC pipe	FIREFLYMastic HP + Penowrap Gasket	-/120/120
H203	50 mm Copper pipe with nitrile lagging	FIREFLY Strap + Penowrap Gasket	-/120/120
H204	80 mm uPVC pipe	Penowrap Gasket + FIREFLYMastic HP + FRF Collar	-/120/120
H205	43 mm uPVC pipe	FIREFLYMastic + FRF Collar	-/120/120
H206	48 mm uPVC pipe	FIREFLYMastic + FRF Collar	-/120/120
H207	40 mm PVC floor waste	FIREFLYMastic + FRF Collar	-/120/120
H208	FR Pair coil with condensate hose and cables	FIREFLYMastic HP	-/120/120
H209	50 mm uPVC conduit with fibre optic cables	FIREFLYMastic HP	Various

ID*	Service*	Local FIREFLY protection*	FRL*
H210	Bundle of fibre optic cables	FIREFLYMastic HP	Various
H211	350 mm Steel pipe with stonewool lagging	FIREFLYStrap + FIREFLYMastic	Various
H212	200 mm Copper pipe with stonewool lagging	FIREFLYStrap + FIREFLYMastic	Various
H213	25 mm Copper pipe (bare)	FIREFLYMastic + FIREFLY Penowrap	-/180/120
H214	Bundle of fire alarm cables	FIREFLYMastic	-/180/180
H215	Bundle of fire alarm cables	FIREFLYMastic HP	-/180/180
H216	Bundle of mixed cables	FIREFLYMastic HP	-/180/180
H217	Bundle of fibre optic cables	FIREFLYMastic	-/180/180
H218	16 mm sq power cable	FIREFLYMastic	-/180/180
H219	Bundle of mixed cables	FIREFLYMastic	-/180/180
H220	2 x non-FR pair coil	FIREFLYMastic + FRF Collar	-/180/180
H221	32 mm Clear PVC conduits	FIREFLYMastic HP	-/180/180
H222	20 mm Clear PVC conduits	FIREFLYMastic HP	-/180/180
H223	48 mm Steel pipe (bare)	FIREFLYMastic + FIREFLY Penowrap	-/180/120
H224	Bundle of mixed cables	FIREFLYMastic + FIREFLY Penowrap	-/180/120
H225	Bundle of vesda microducts	FIREFLYMastic HP	-/180/180
H226	160 mm acoustic pipe	FIREFLYMastic + FRF Collar	-/90/90
H227	40 mm acoustic pipe	FIREFLYMastic + FRF Collar	-/180/180
H228	150 mm uPVC pipe (Pressure pipe)	FIREFLYMastic HP + FRF Collar	Various
H229	Bundle of PEX pipes	FIREFLYMastic HP + FRF Collar	Various
H230	Bundle of mixed cables	FIREFLYMastic HP + FRF Collar	-/120/90
H231	Bundle of 32 mm electrical conduits with cables	FIREFLYMastic HP + FRF Collar	Various
H232	FR Pair coil with condensate hose and cables	FIREFLYMastic HP + FRF Collar	-/180/120
H233	2 x FR Pair coil	FIREFLYMastic HP + FRF Collar	-/180/120
H234	150 mm uPVC pipe	FIREFLYMastic HP + FRF Collar	-/180/120

#For reference only. Not for compliance purpose.

*Please refer to the complete system in FAS190236 RIR 1.19 for exact fire stopping system and details of the separating elements.

If you need to refer to our systems or submit compliance documentation, we invite you to request a copy of our latest Regulatory Information Report. This report is available upon request and will provide you with the necessary information regarding our fire stopping solutions. To obtain a copy, simply contact your FIREFLY account manager or reach out to our customer service team.